

EWS Series Economical Wall Mount Sensors

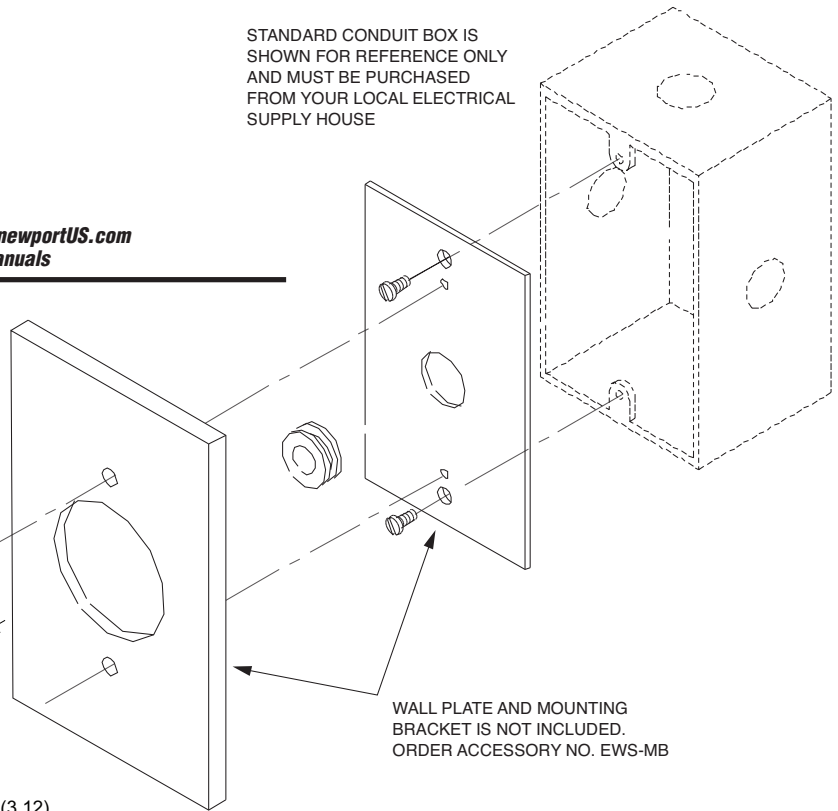
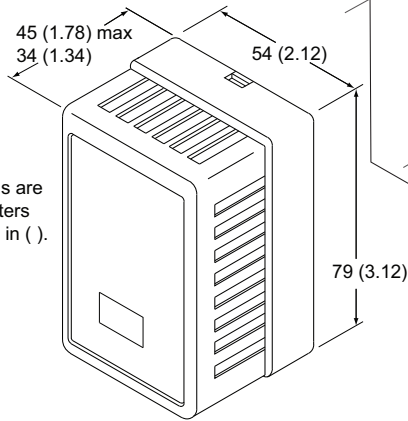
**INSTRUCTION
SHEET**

**EWS-TX
M3500/N/1211**

Shop online at: newportUS.com e-mail: info@newportUS.com
For latest product manuals: newportUS.com/manuals

STANDARD CONDUIT BOX IS SHOWN FOR REFERENCE ONLY AND MUST BE PURCHASED FROM YOUR LOCAL ELECTRICAL SUPPLY HOUSE

Dimensions are in millimeters with inches in ().



WALL PLATE AND MOUNTING BRACKET IS NOT INCLUDED. ORDER ACCESSORY NO. EWS-MB

Specifications

Temperature Range: -18 to 57°C (0 to 135°F)

Accuracy: (Still Air) $\pm 0.7^\circ\text{C}$ ($\pm 1.2^\circ\text{F}$)
@ 25°C $\pm 1.4^\circ\text{C}$ (2.5°F) across full range;
(Slow Moving Air) $\pm 1.4^\circ\text{C}$ (2.5°F) @ 25°C $\pm 1.7^\circ\text{C}$ (3.0°F) across full range

Note: Not recommended for fast moving air applications.

Repeatability: $\pm 0.3^\circ\text{C}$ (0.5°F)

Output: 4 to 20 mA (1 to 5 Vdc) (User Selectable)

Temp. Time Constant: (for 63.2% response)
9 sec. in moving air (1 M/sec.), 30 sec. in still air

Power: 8 to 18 Vdc @ 20 mA

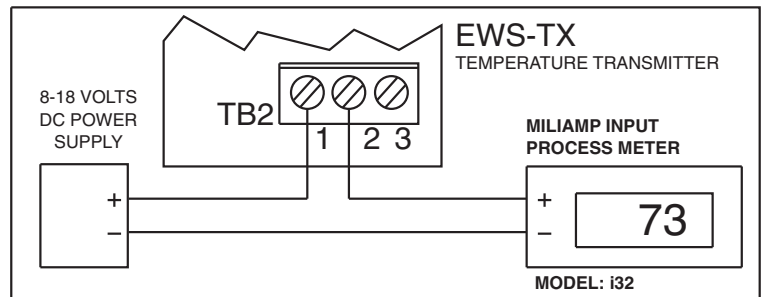
Max. Loop Resistance:
(V supply -8 V)/0.020 A = Ohms

Enclosure Material: Valox 364 PBT or Acrylonitrile Butadiene Styrene

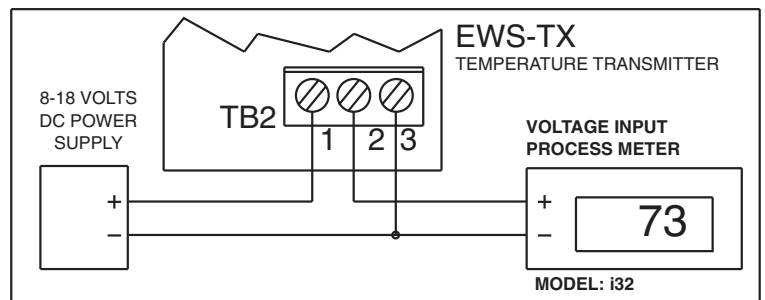
TEMPERATURE VS OUTPUT

Deg.C	Deg. F	4-20 mA	1-5 vdc
-18	0	4.0	1.00
-10	14	5.7	1.43
0	32	7.8	1.95
10	50	9.9	2.48
20	68	12.1	3.00
30	86	14.2	3.55
40	104	16.3	4.08
50	122	18.5	4.63
57	135	20.0	5.00

4-20 MA OUTPUT WIRING



1-5 VDC OUTPUT WIRING



Accessories

Model No.	Description
EWS-MB	Conduit box mounting bracket/wall plate adaptor kit
TX4-100	Shielded 4 conductor transmitter cable (100 ft)

NEWPORTnetSM On-Line Service
www.newportUS.com

Internet e-mail
info@newportUS.com

Servicing North America:

U.S.A.: Newport Electronics, Inc.
ISO 9001 Certified 2229 South Yale Street • Santa Ana, CA • 92704 • U.S.A.
Toll-Free: 1-800-639-7678
TEL: (714) 540-4914 • FAX: (203) 359-7700
e-mail: info@newportUS.com

Canada: 976 Bergar
Laval (Quebec), Canada H7L 5A1
Toll-Free: 1-800-639-7678
TEL: (514) 335-3183 • FAX: (514) 856-6886
e-mail: info@newport.ca

For immediate technical or application assistance:

U.S.A. and Canada: 1-800-6397678/1-800-NEWPORT

Mexico and Latin America: En Español: 001 (203) 359-7803 • FAX: 001 (203) 359-7807
www.newport.com.mx • e-mail: buzon@newportUS.com

Servicing Europe:

Benelux: Managed by the United Kingdom Office
Toll-Free: 0800 0993344 • TEL: +31 20 3472121
FAX: +31 20 6434643 • e-mail: info@newport.nl

Czech Republic: Frystatska 184, 733 01 Karviná • Czech Republic
Toll-Free: 0800-1-66342 • TEL: +420 59 6311899
FAX: +420 59 6311114 • e-mail: info@newport.cz

France: Managed by the United Kingdom Office
Toll-Free: 0800 466 342 • TEL: +33 1 61 37 29 00
FAX: +33 1 30 57 54 27 • e-mail: sales@newport.fr

Germany/Austria: Daimlerstrasse 26 • D-75392 Deckenpfronn • Germany
Toll-Free: 0800 / 6397678 • TEL: 49 7056 9398-0
FAX: 49 7056 9398-29 • e-mail: sales@newport.de

United Kingdom: One Omega Drive • River Bend Technology Centre,
ISO 9001 Certified Northbank, Irlam • Manchester M44 5BD • United Kingdom
Toll-Free: 0800 488 488 • TEL: +44 161 777 6611
FAX: +44 161 777 6622 • e-mail: sales@newportuk.co.uk

It is the policy of NEWPORT Electronics, Inc. to comply with all worldwide safety and EMC/EMI regulations that apply. NEWPORT is constantly pursuing certification of its products to the European New Approach Directives. NEWPORT will add the CE mark to every appropriate device upon certification.

The information contained in this document is believed to be correct, but NEWPORT accepts no liability for any errors it contains, and reserves the right to alter specifications without notice. **WARNING:** These products are not designed for use in, and should not be used for, human applications.

Warranty/Disclaimer

NEWPORT Electronics, Inc. warrants this unit to be free of defects in materials and workmanship for a period of **one (1) year** from the date of purchase. In addition to NEWPORT's standard warranty period, NEWPORT Electronics will extend the warranty period for **one (1) additional year** if the warranty card enclosed with each instrument is returned to NEWPORT.

If the unit should malfunction, it must be returned to the factory for evaluation. NEWPORT's Customer Service Department will issue an Authorized Return (AR) number immediately upon phone or written request. Upon examination by NEWPORT, if the unit is found to be defective it will be repaired or replaced at no charge. NEWPORT's WARRANTY does not apply to defects resulting from any action of the purchaser, including but not limited to mishandling, improper interfacing, operation outside of design limits, improper repair, or unauthorized modification. This WARRANTY is VOID if the unit shows evidence of having been tampered with or shows evidence of being damaged as a result of excessive corrosion; or current, heat, moisture or vibration; improper specification; misapplication; misuse or other operating conditions outside of NEWPORT's control. Components which wear are not warranted, including but not limited to contact points, fuses, and triacs.

NEWPORT is pleased to offer suggestions on the use of its various products. However, NEWPORT neither assumes responsibility for any omissions or errors nor assumes liability for any damages that result from the use of its products in accordance with information provided by NEWPORT, either verbal or written. NEWPORT warrants only that the parts manufactured by it will be as specified and free of defects. NEWPORT MAKES NO OTHER WARRANTIES OR REPRESENTATIONS OF ANY KIND WHATSOEVER, EXPRESSED OR IMPLIED, EXCEPT THAT OF TITLE, AND ALL IMPLIED WARRANTIES INCLUDING ANY WARRANTY OF MERCHANTABILITY AND FITNESS FOR A PARTICULAR PURPOSE ARE HEREBY DISCLAIMED. LIMITATION OF LIABILITY: The remedies of purchaser set forth herein are exclusive and the total liability of NEWPORT with respect to this order, whether based on contract, warranty, negligence, indemnification, strict liability or otherwise, shall not exceed the purchase price of the component upon which liability is based. In no event shall NEWPORT be liable for consequential, incidental or special damages.

CONDITIONS: Equipment sold by NEWPORT is not intended to be used, nor shall it be used: (1) as a "Basic Component" under 10 CFR 21 (NRC), used in or with any nuclear installation or activity; or (2) in medical applications or used on humans. Should any Product(s) be used in or with any nuclear installation or activity, medical application, or used on humans, or misused in any way, NEWPORT assumes no responsibility as set forth in our basic WARRANTY / DISCLAIMER language, and additionally purchaser will indemnify NEWPORT and hold NEWPORT harmless from any liability or damage whatsoever arising out of the use of the Product(s) in such a manner.

Return Requests/Inquiries

Direct all warranty and repair requests/inquiries to the NEWPORT Customer Service Department. **BEFORE RETURNING ANY PRODUCT(S) TO NEWPORT, PURCHASER MUST OBTAIN AN AUTHORIZED RETURN (AR) NUMBER FROM NEWPORT'S CUSTOMER SERVICE DEPARTMENT (IN ORDER TO AVOID PROCESSING DELAYS).** The assigned AR number should then be marked on the outside of the return package and on any correspondence.

The purchaser is responsible for shipping charges, freight, insurance and proper packaging to prevent breakage in transit.

FOR **WARRANTY** RETURNS, please have the following information available BEFORE contacting NEWPORT:

1. P.O. number under which the product was PURCHASED,
2. Model and serial number of the product under warranty, and
3. Repair instructions and/or specific problems relative to the product.

FOR **NON-WARRANTY** REPAIRS, consult NEWPORT for current repair charges. Have the following information available BEFORE contacting NEWPORT:

1. P.O. number to cover the COST of the repair,
2. Model and serial number of product, and
3. Repair instructions and/or specific problems relative to the product.

NEWPORT's policy is to make running changes, not model changes, whenever an improvement is possible. This affords our customers the latest in technology and engineering.

NEWPORT is a registered trademark of NEWPORT Electronics, Inc.

© Copyright 2011 NEWPORT Electronics, Inc. All rights reserved. This document may not be copied, photocopied, reproduced, translated, or reduced to any electronic medium or machine-readable form, in whole or in part, without prior written consent of NEWPORT Electronics, Inc.